

## Brushless Cordless HandHeld Airless Sprayers

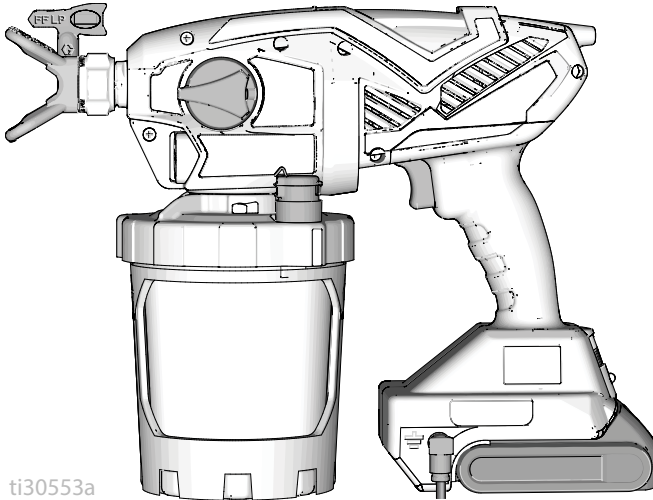
3A4803C

EN



### Important Safety Instructions

Read all warnings and instructions in this manual, on the unit, and in the battery and charger manual. Be familiar with the controls and the proper usage of the equipment. Save these instructions.



ti30553a



Operational video.  
<http://graco.com/hhsu>



POWERED BY

**DEWALT**<sup>®</sup>





*For portable spray applications of architectural paints and coatings only.  
Not approved for use in explosive atmospheres or hazardous locations.  
For professional use only.*

# Contents

<b>Models – Cordless Airless HandHelds</b> .....	<b>3</b>
<b>Important User Information</b> .....	<b>4</b>
<b>General Power Tool Safety Information</b> .....	<b>5</b>
<b>Warnings</b> .....	<b>7</b>
<b>Know Your Sprayer</b> .....	<b>10</b>
<b>Start Up</b> .....	<b>11</b>
Pressure Relief Procedure .....	11
Starting a New Job .....	12
Refilling FlexLiner .....	14
<b>How to Spray</b> .....	<b>15</b>
Speed Control .....	15
Tip and Pressure Selection .....	15
Spray Techniques .....	15
Triggering Sprayer .....	16
Aiming Sprayer .....	16
Spray Pattern Quality .....	17
Clear Tip Clog .....	17
<b>Cleanup</b> .....	<b>19</b>
Cleaning Sprayer .....	19
Cleaning Sprayer Exterior .....	22
Cleaning VacuValve .....	22
<b>Storage</b> .....	<b>23</b>
<b>Common Procedures</b> .....	<b>24</b>
Spray Tip Installation .....	24
Flush a New Sprayer .....	25
<b>Reference</b> .....	<b>27</b>
Spray Tip Selection .....	27
Cleaning Fluid Compatibility .....	28
Static Grounding Instructions (Oil-Based or flammable materials) .....	28
<b>Maintenance</b> .....	<b>29</b>
Cleaning Outlet Valves .....	29
Grounding Wire Repair .....	30
<b>Replacement Parts</b> .....	<b>32</b>
<b>Troubleshooting</b> .....	<b>35</b>
<b>Technical Specifications</b> .....	<b>40</b>
<b>Graco Limited Warranty</b> .....	<b>41</b>

# Models – Cordless Airless HandHelds

## Models – Cordless Airless HandHelds

	Model	Sprayer Name	Charger Voltage	Tip Family	Tip Size
 110474 Certified to CAN/CSA C22.2 No. 68 Conforms to UL 1450	17M367	Ultra MAX	120V	FFLPxxx	0.008 – 0.016 in. (0.20 – 0.41 mm)
	17P928		*		
	17N222	Ultimate MX	120V		
	17P929		*		
	17N223	TC PRO PLUS	120V	TCPxxx	
	17P258	Ultra MAX	230V	FFLPxxx	
	17M368				
	17P930	Ultra MAX	*		
	17P931		*		
	17N224		100V		
	17M370		230V		
	17P257	Ultimate MX			
	17N225	Ultra MAX	230V		
* – Tool only, without battery and charger.					

Operating pressure range: 500 – 2000 psi (35 – 138 bar, 3.5 MPa – 14 MPa)

## Important User Information

### Thank You for Your Purchase!

Before using your sprayer read this Owners Manual for complete instructions on proper use and safety warnings.

Congratulations! You have purchased a high-quality paint sprayer made by Graco Inc. This sprayer is designed to provide superior spray performance with all architectural paints and coatings. This user information is intended to help you understand the types of materials that can be used with your sprayer.

Before using this equipment, be sure to read and follow the information on your container label and ask for a Safety Data Sheet (SDS) from your supplier. The container label and SDS will explain the contents of the material and the specific precautions related to it.

Paints, coatings and clean-up materials generally fit into one of the following **3 basic categories**:



**WATER-BASED:** The container label should indicate that the material can be cleaned up with soap and water. Your sprayer is compatible with this type of material. Your sprayer is **NOT** compatible with harsh cleaners such as chlorine bleach.



**OIL-BASED:** The container label should indicate that the material is **COMBUSTIBLE** and can be cleaned up with mineral spirits or non-flammable paint thinner. The SDS must indicate that the flash point of the material is above 100°F (38°C). Your sprayer is compatible with this type of material. Use oil-based material outdoors or in a well-ventilated indoor area with a flow of fresh air. See the safety warnings in this manual.



**FLAMMABLE:** This type of material contains flammable solvents such as xylene, toluene, naphtha, MEK, lacquer thinner, acetone, denatured alcohol, and turpentine. The container label should indicate that this material is **FLAMMABLE**. Your sprayer is compatible with this type of material. Use flammable materials outdoors or in a well-ventilated indoor area with a flow of fresh air. See the safety warnings in this manual.



## General Power Tool Safety Information

### **WARNING**

#### **Read all safety warnings and all instructions.**

Failure to follow the warnings and instructions may result in electric shock, fire and/or serious injury.

#### **Save all warnings and instructions for future reference.**

The term “power tool” in the warnings refers to your mains-operated power tool.

#### **Work Area Safety**

- **Keep work area clean and well lit.** Cluttered or dark areas invite accidents.
- **Do not operate power tools in explosive atmospheres, such as in the presence of flammable liquids, gases or dust.** Power tools create sparks which may ignite the dust or fumes.
- **Keep children and bystanders away while operating a power tool.** Distractions can cause you to lose control.

#### **Electrical Safety**

- **Power tool plugs must match the outlet. Never modify the plug in any way. Do not use any adapter plugs with earthed (grounded) power tools.** Unmodified plugs and matching outlets will reduce risk of electric shock.
- **Avoid body contact with earthed or grounded surfaces, such as pipes, radiators, ranges and refrigerators.** There is an increased risk of electric shock if your body is earthed or grounded.
- **Do not expose power tools to rain or wet conditions.** Water entering a power tool will increase the risk of electric shock.
- **Do not abuse the cord. Never use the cord for carrying, pulling or unplugging the power tool. Keep cord away from heat, oil, sharp edges or moving parts.** Damaged or entangled cords increase the risk of electric shock.
- **When operating a power tool outdoors, use an extension cord suitable for outdoor use.** Use of a cord suitable for outdoor use reduces the risk of electric shock.
- **If operating a power tool in a damp location is unavoidable, use a residual current device (RCD) protected supply.** Use of an RCD reduces the risk of electric shock.

#### **Personal Safety**

- **Stay alert, watch what you are doing and use common sense when operating a power tool. Do not use a power tool while you are tired or under the influence of drugs, alcohol or medication.** A moment of inattention while operating power tools may result in serious personal injury.
- **Use personal protective equipment. Always wear eye protection.** Protective equipment such as dust mask, non-skid safety shoes, hard hat, or hearing protection used for appropriate conditions will reduce personal injuries.
- **Prevent unintentional starting. Ensure the switch is in the off-position before connecting to power source and/or battery pack, picking up or carrying the tool.** Carrying power tools with your finger on the switch or energizing power tools that have the switch on invites accidents.
- **Remove any adjusting key or wrench before turning the power tool on.** A wrench or a key left attached to a rotating part of the power tool may result in personal injury.
- **Do not overreach. Keep proper footing and balance at all times.** This enables better control of the power tool in unexpected situations.
- **Dress properly. Do not wear loose clothing or jewelry. Keep your hair, clothing and gloves away from moving parts.** Loose clothes, jewelry or long hair can be caught in moving parts.
- **If devices are provided for the connection of dust extraction and collection facilities, ensure these are connected and properly used.** Use of dust collection can reduce dust-related hazards.

# General Power Tool Safety Information

## WARNING

### Power Tool Use and Care

- **Do not force the power tool. Use the correct power tool for your application.** The correct power tool will do the job better and safer at the rate for which it was designed.
- **Do not use the power tool if the switch does not turn it on and off.** Any power tool that cannot be controlled with the switch is dangerous and must be repaired.
- **Disconnect the plug from the power source before making any adjustments, changing accessories, or storing power tools.** Such preventive safety measures reduce the risk of starting the power tool accidentally.
- **Store idle power tools out of the reach of children and do not allow persons unfamiliar with the power tool or these instructions to operate the power tool.** Power tools are dangerous in the hands of untrained users.
- **Maintain power tools. Check for misalignment or binding of moving parts, breakage of parts and any other condition that may affect the power tool's operation. If damaged, have the power tool repaired before use.** Many accidents are caused by poorly maintained power tools.
- **Use the power tool, accessories etc. in accordance with these instructions, taking into account the working conditions and the work to be performed.** Use of the power tool for operations different from those intended could result in a hazardous situation.

### Service

- **Have your power tool serviced by a qualified repair person using only identical replacement parts.** This will ensure that the safety of the power tool is maintained.

# Warnings

The following warnings are for the setup, use, maintenance, and repair of this equipment. The exclamation point symbol alerts you to a general warning and the hazard symbols refer to procedure-specific risks. When these symbols appear in the body of this manual or on warning labels, refer back to these Warnings. Product-specific hazard symbols and warnings not covered in this section may appear throughout the body of this manual where applicable.

## **WARNING**

### **FIRE AND EXPLOSION HAZARD (GROUNDING)**



Some oil-based and flammable materials generate static electricity when sprayed. Static electricity creates an explosion and fire risk. Your sprayer has a grounding cord that will conduct the static electricity to a grounded electrical outlet. The sprayer and all objects in spray area shall be properly grounded to protect against static discharge, sparks or shocks.

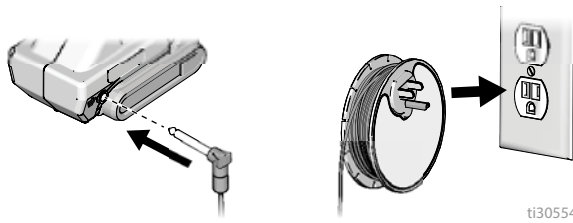
- Connect the grounding cord when spraying flammable or static producing oil-based materials.
- If there is static sparking or if you feel a shock, stop spraying immediately and connect the sprayer to a properly grounded electrical outlet with the ground wire provided.

### **GROUNDING INSTRUCTIONS**

Move the sprayer away from the spray area to a non-hazardous location. Plug the ground wire into the sprayer.

Unwind the ground wire from the spool and plug it into a properly grounded electrical outlet.

If the ground wire is not long enough to reach a grounded electrical outlet, a 3-wire grounded extension cord may be used to reach a grounded outlet.



## **WARNING**

### **FIRE AND EXPLOSION HAZARD**



Flammable fumes, such as solvent and paint fumes, in work area can ignite or explode. To help prevent fire and explosion:



- Do not spray flammable or combustible liquids in a confined area.
- Keep spray area well-ventilated. Keep a good supply of fresh air moving through the area.



- Paint or solvent flowing through the sprayer is able to result in static electricity. Static electricity creates a risk of fire or explosion in the presence of paint or solvent fumes. Reverse spray tip when flushing. The sprayer and all objects in spray area shall be properly grounded to protect against static discharge, sparks, or shocks.



- Always connect the grounding cord provided when spraying flammable materials or static producing oil-based materials. See **GROUNDING INSTRUCTIONS**, page 7.
- If there is static sparking or you feel a shock, stop operation immediately and connect sprayer to a properly grounded electrical outlet with the ground wire provided.
- Do not spray flammable or combustible materials near open flame or sources of ignition such as cigarettes, external motors, and electrical equipment.
- Do not operate light switches, engines, or similar spark producing products in the spray area.
- Do not smoke in the spray area.
- Keep area clean and free of paint or solvent containers, rags, and other flammable materials.
- Know the contents of the paints and solvents being sprayed. Read all Safety Data Sheet (SDS) and container labels provided with the paints and solvents. Follow the paint and solvents manufacturer's safety instructions.
- Fire extinguisher equipment shall be present and working.

### **SKIN INJECTION HAZARD**



High-pressure spray is able to inject toxins into the body and cause serious bodily injury. In the event that injection occurs, **get immediate surgical treatment**.










- Do not aim the gun at, or spray any person or animal.
- Keep hands and other body parts away from the discharge. For example, do not try to stop leaks with any part of the body.



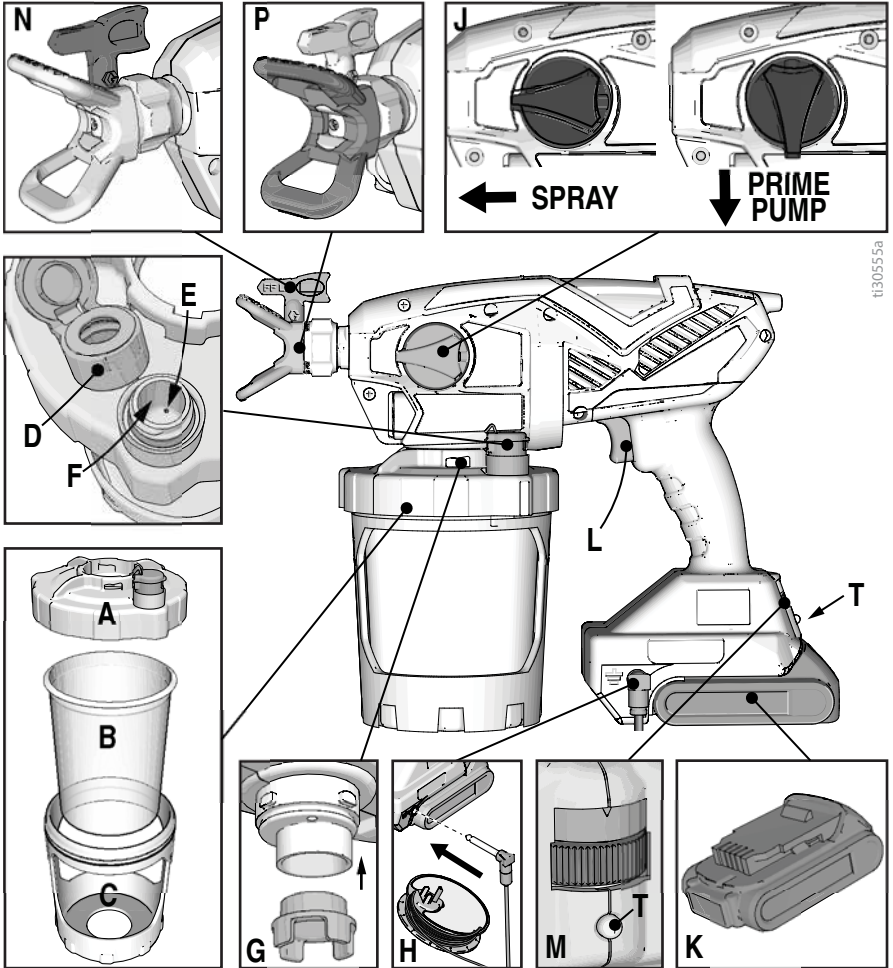
- Always use the spray tip guard. Do not spray without spray tip guard in place.
- Use Graco spray tips.
- Use caution when cleaning and changing spray tips. In the case where the spray tip clogs while spraying, follow the **Pressure Relief Procedure** for turning off the unit and relieving the pressure before removing the spray tip to clean.
- Do not leave the equipment energized or under pressure while unattended. Remove battery and follow the **Pressure Relief Procedure** when the equipment is unattended or not in use, and before servicing, cleaning, or removing parts.
- Check parts for signs of damage. Replace any damaged parts.
- This system is capable of producing 2000 psi (138 bar, 14 MPa). Use Graco replacement parts or accessories that are rated a minimum of 2000 psi (138 bar, 14 MPa).
- Verify that all connections are secure before operating the unit.
- Know how to stop the unit and bleed pressure quickly. Be thoroughly familiar with the controls.

## **WARNING**

 	<p><b>EQUIPMENT MISUSE HAZARD</b></p> <p>Misuse can cause death or serious injury.</p> <ul style="list-style-type: none"> <li>• Always wear appropriate gloves, eye protection, and a respirator or mask when painting.</li> <li>• Do not operate or spray near children. Keep children away from equipment at all times.</li> <li>• Do not overreach or stand on an unstable support. Keep effective footing and balance at all times.</li> <li>• Stay alert and watch what you are doing.</li> <li>• Do not operate the unit when fatigued or under the influence of drugs or alcohol.</li> <li>• Always replace cracked, broken or missing parts immediately with genuine Graco parts. See <b>Replacement Parts</b>, page 32.</li> <li>• Do not alter or modify equipment. Alterations or modifications may void agency approvals and create safety hazards.</li> <li>• Use only in dry locations. Do not expose to water or rain.</li> <li>• Use in well-lit areas.</li> <li>• Make sure all equipment is rated and approved for the environment in which you are using it.</li> </ul>
 	<p><b>BATTERY AND CHARGER COMPATIBILITY HAZARD</b></p> <ul style="list-style-type: none"> <li>• Only use DEWALT brand 18V Max or 20V Max batteries and battery chargers with this tool.</li> <li>• READ ALL INSTRUCTIONS included with this tool regarding the safety and usage of DEWALT batteries and battery chargers.</li> </ul>
	<p><b>PRESSURIZED ALUMINUM PARTS HAZARD</b></p> <p>Use of fluids that are incompatible with aluminum in pressurized equipment can cause serious chemical reaction and equipment rupture. Failure to follow this warning can result in death, serious injury, or property damage.</p> <ul style="list-style-type: none"> <li>• Do not use 1,1,1-trichloroethane, methylene chloride, other halogenated hydrocarbon solvents or fluids containing such solvents.</li> <li>• Do not use chlorine bleach.</li> <li>• Many other fluids may contain chemicals that can react with aluminum. Contact your material supplier for compatibility.</li> </ul>
	<p><b>TOXIC FLUID OR FUMES HAZARD</b></p> <p>Toxic fluids or fumes can cause serious injury or death if splashed in the eyes or on skin, inhaled, or swallowed.</p> <ul style="list-style-type: none"> <li>• Read Safety Data Sheets (SDSs) to know the specific hazards of the fluids you are using.</li> <li>• Store hazardous fluid in approved containers, and dispose of it according to applicable guidelines.</li> </ul>
	<p><b>PERSONAL PROTECTIVE EQUIPMENT</b></p> <p>Wear appropriate protective equipment when in the work area to help prevent serious injury, including eye injury, hearing loss, inhalation of toxic fumes, and burns. This protective equipment includes but is not limited to:</p> <ul style="list-style-type: none"> <li>• Protective eye-wear, and hearing protection.</li> <li>• Respirators, protective clothing, and gloves as recommended by the fluid and solvent manufacturer.</li> </ul>
	<p><b>CALIFORNIA PROPOSITION 65</b></p> <p>This product contains a chemical known to the State of California to cause cancer, birth defects or other reproductive harm. Wash hands after handling.</p>

# Know Your Sprayer

## Know Your Sprayer







1130555a

A	Cup Cover
B	FlexLiner
C	Cup Support
D	VacuValve Cap
E	VacuValve Air Hole
F	VacuValve Reservoir
G	Pump Filter
H	Ground Plug and Spool

J	Prime Pump/Spray Knob
K	Battery
L	Sprayer Trigger
M	Speed Control, ProControl II
N	Spray Tip. Reverse-A-Clean (RAC)
P	Spray Tip Guard
T	Diagnostic Light



## Start Up

				
<p>Flammable fumes (such as solvent and paint fumes) in work area can ignite or explode.</p> <p>See <b>GROUNDING INSTRUCTIONS</b>, page 7.</p> <p>Do not spray flammable or combustible liquids in a confined area.</p> <p>Keep spray area well-ventilated. Keep a good supply of fresh air moving through the area.</p>				

### NOTICE

Your sprayer is **NOT** compatible with harsh cleaners such as chlorine bleach. Using these cleaners will cause damage to the sprayer.

***Always start with a fully charged battery. Do not splash or immerse battery or charger in water or solvents. See battery and charger information shipped with the sprayer.***

				
<p>Replace and charge battery only in a well-ventilated area and away from flammable or combustible materials, including paints and solvents.</p>				






### NOTICE

**Do NOT shake materials to be used with this sprayer.** Some fine finish lacquers and enamels trap air when shaken, which can affect sprayer performance. Stir the material or check the manufacturer's recommendation for the material being sprayed.

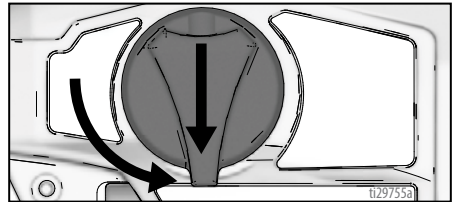
## Pressure Relief Procedure



Follow the Pressure Relief Procedure whenever you see this symbol.

				
<p>This sprayer builds up an internal pressure of 2000 psi (14 MPa, 138 bar) during use. Follow this Pressure Relief Procedure whenever you stop spraying and before cleaning, checking, servicing, or transporting equipment to prevent serious injury.</p>				

1. Remove battery from the sprayer.
2. Turn Prime Pump/Spray Knob down to PRIME PUMP position to relieve pressure.



# Start Up

## Starting a New Job



When spraying flammable or combustible materials:

- Move entire sprayer to a well-ventilated area and away from flammable or combustible materials, including paints and solvents when refilling.
- Keep material containers covered between cup refills.

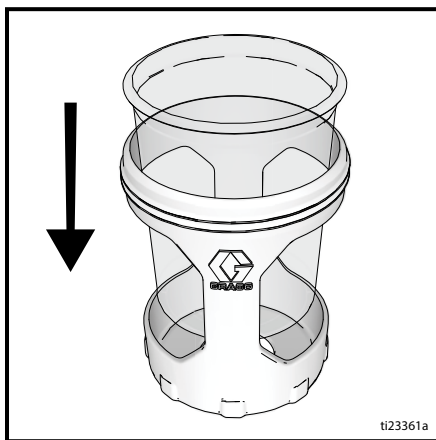
If you are using the sprayer for the very first time, see **Flush a New Sprayer**, page 25.

### Strain the Paint

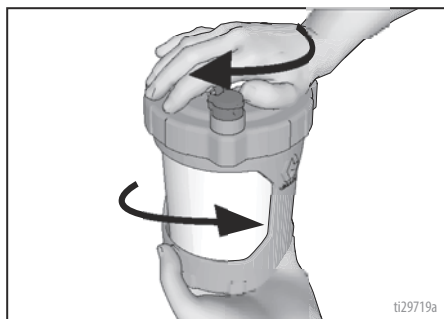
Previously opened paint may contain dried paint or other debris. To avoid priming problems and tip clogs it is advisable to strain the paint before using. Paint strainers are available where paint is sold. Stretch a paint strainer over a clean pail and pour the paint through the strainer to capture any dried paint and debris before spraying.



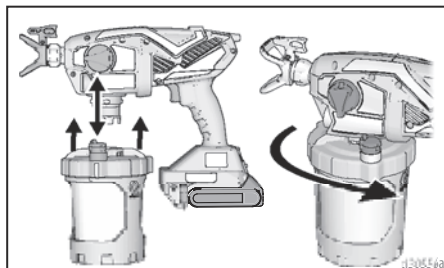
1. Install FlexLiner in the cup support.



2. Fill FlexLiner with material. Securely tighten cup cover onto cup support. For proper sprayer operation lid must seal tightly with the cup.

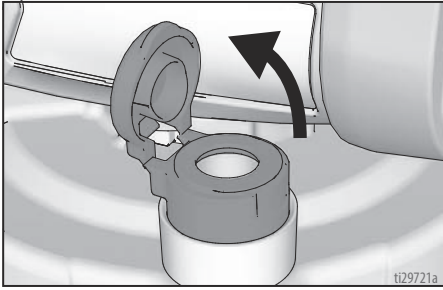


3. Align VacuValve on cup cover with Prime Pump/Spray knob. Push cup assembly onto sprayer and twist to lock.

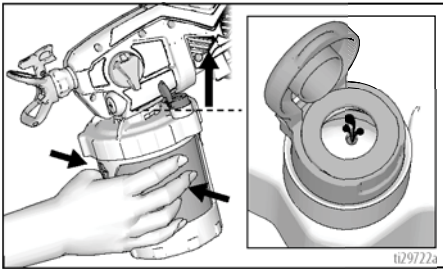




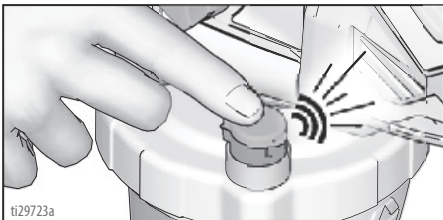
4. The VacuValve is an important part of your new sprayer. It is used to evacuate the air out of the FlexLiner. Sprayer will not spray if there is air in the FlexLiner.



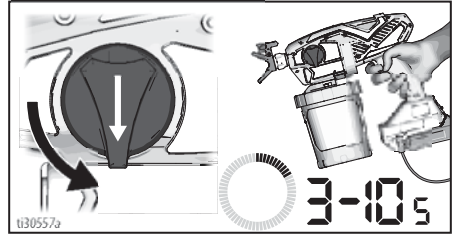
5. Open VacuValve cap. Tilt the sprayer so the VacuValve is the highest point, causing any air in the FlexLiner to rise to the VacuValve. Gently squeeze the FlexLiner to evacuate all air through the VacuValve air hole. Once you see material enter the VacuValve reservoir, all air should be evacuated from the FlexLiner.



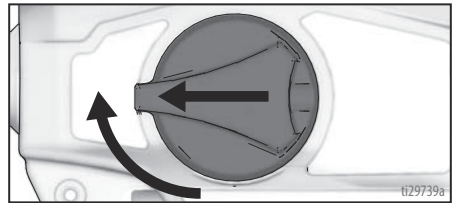
6. Stop squeezing the FlexLiner and snap the VacuValve cap closed. You will hear the cap click when it is closed properly.



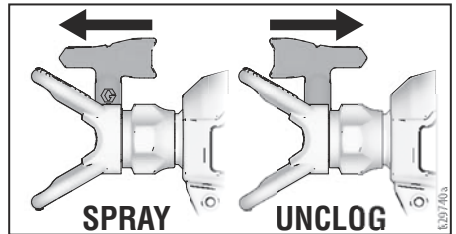
7. Install battery onto sprayer.  
8. Turn Prime Pump/Spray knob down to Prime Pump position. Turn spray tip to unplug position. To fill sprayer with fluid, point sprayer into a waste area and hold the trigger in for 3 – 10 seconds.



9. Air from pump may have entered the FlexLiner during priming. Repeat Steps 4 – 6 to ensure all air is evacuated.  
10. Turn Prime Pump/Spray knob forward to spray position.



11. Make certain spray tip is in the spray position.



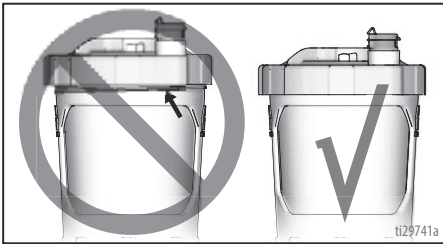
12. You are now ready to spray.

**NOTE:** For best results; to evacuate all material from the FlexLiner when the material is nearly gone, gently squeeze the bottom of the FlexLiner to push the last of the material up to the cup lid.

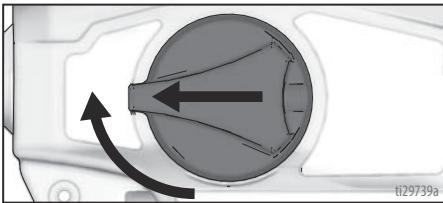
# Start Up

**If sprayer does not spray, try one of the steps below:**

- Make certain there is only one FlexLiner in cup support. It is possible for two liners to nest tightly together and appear as only one.
- Make certain the cup cover is properly threaded to the cup support. If threads are visible below the cup cover when tight, then the cover is cross-threaded. Fully remove the cup cover and reinstall to the cup support so no threads are visible when tight.



- Repeat steps 2 – 6 on page 12 to ensure all the air is evacuated from the FlexLiner.
- Make certain the Prime Pump/Spray knob is in the Spray position.



- If sprayer still does not spray, see **Sprayer Diagnostics**, page 35. If material sprays while upside down there is air in the cup. Repeat steps above.

- Replace VacuValve cap. Two new VacuValve caps came with your sprayer.

## Refilling FlexLiner

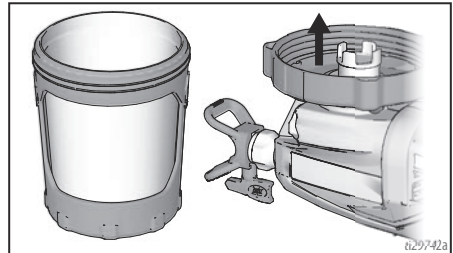


When spraying flammable or combustible materials:

- Move entire sprayer to a well-ventilated area and away from flammable or combustible materials, including paints and solvents when refilling.
- Keep material containers covered between cup refills.

If sprayer runs out of paint simply separate the cup support from the cup cover/sprayer and refill the FlexLiner.

1. Remove battery from the sprayer and open the vacuvalve to allow air into the FlexLiner.
2. Separate the cup support from the cup cover/sprayer. Set the sprayer upside down on a flat surface. This will keep the wet paint in the cup cover.



3. Follow steps 2 – 12 in **Starting a New Job**, page 12.

## How to Spray

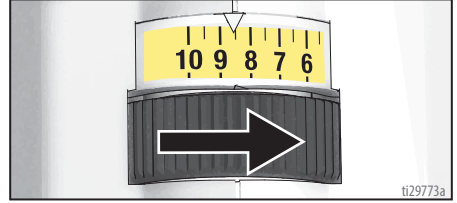


Take a few moments prior to spraying and review these simple tips to ensure your spraying project is a success.

**NOTE:** For proper sprayer operation use only a tip from the same tip family that came with your sprayer.

Sprayer Name	Tip Family	Tip Part No.
Ultra	FFLP	FFLPxxx
Ultimate	FFLP	FFLPxxx
TC Pro	TCP	TCPxxx

## Speed Control



The speed control allows for infinite pressure adjustment. To reduce overspray, always start at lowest speed setting and increase speed to the minimum setting that results in an acceptable spray pattern.

## Tip and Pressure Selection

See table for recommended spray pressure for your material. Refer to paint (material) can for manufacturer's recommendations.

	Coatings					
	Interior Stains/ Interior & Exterior Clears	Exterior Solid Stains	Enamels	Primers	Interior Latex Paints	Exterior Latex Paints
<b>Speed Control</b>	<b>1 – 5</b>	<b>6 – 10</b>	<b>6 – 10</b>	<b>6 – 10</b>	<b>6 – 10</b>	<b>6 – 10</b>
Tip hole Size						
0.008 in. (0.20 mm)	?					
0.010 in. (0.25 mm)	?	?				
0.012 in. (0.30 mm)		?	?			
0.014 in. (0.36 mm)		?	?	?	?	
0.016 in. (0.41 mm)			?	?	?	?

## Spray Techniques

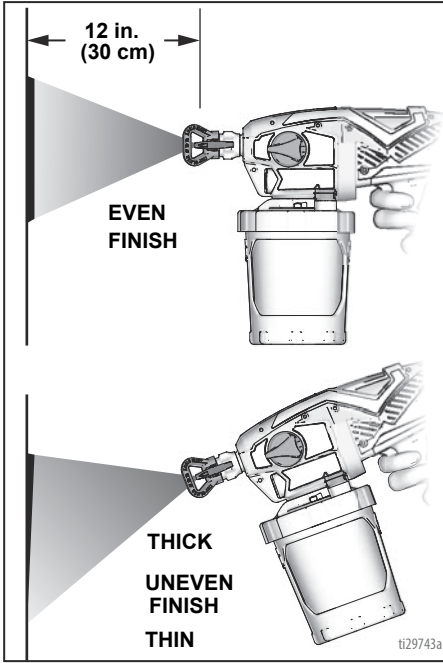
Use a piece of scrap cardboard to practice these basic spraying techniques before you begin spraying the surface.

- Hold sprayer 12 in. (30 cm) from surface and aim straight at surface. Tilting the sprayer to direct the spray angle causes an uneven finish.

- Flex wrist to keep sprayer pointed straight. Fanning sprayer to direct spray at angle causes uneven finish.

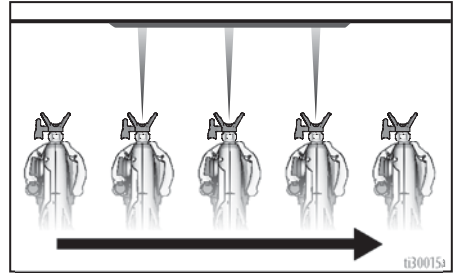
**NOTE:** How fast you move the sprayer will affect spray application. If material is uneven, you are moving too fast. If material drips, you are moving too slow. See **Troubleshooting**, page 35.

# How to Spray



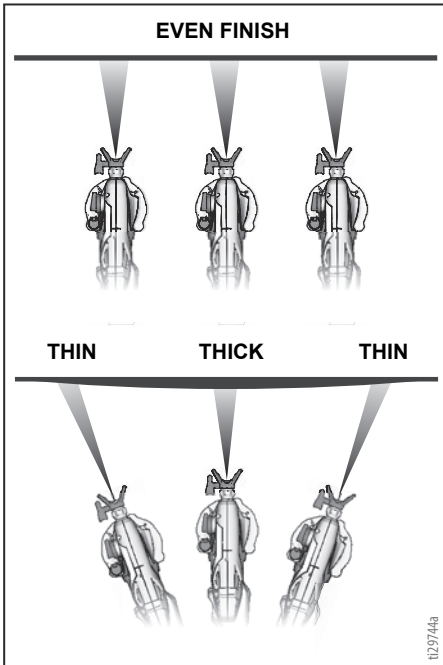
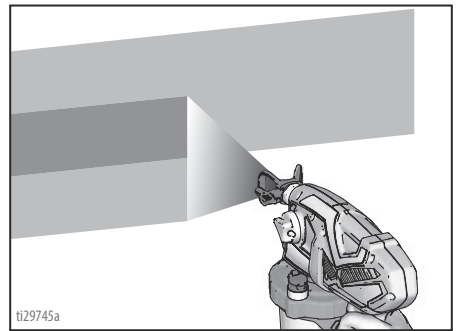
## Triggering Sprayer

Pull trigger after starting stroke. Release trigger before end of stroke. Sprayer must be moving when trigger is pulled and released.



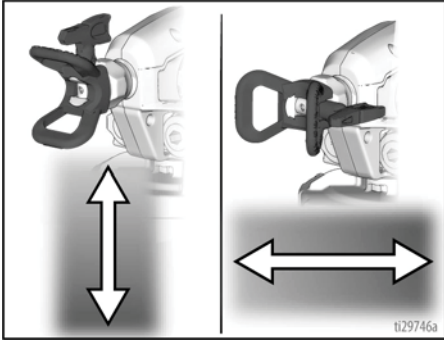
## Aiming Sprayer

Aim sprayer at bottom edge of previous stroke, overlapping each stroke by half.



Rotating the spray tip guard changes the pattern to either the vertical or horizontal orientations.

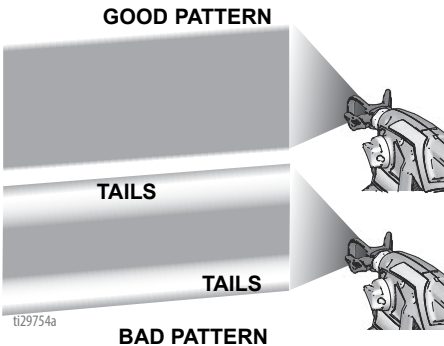
When spraying vertical corners turn spray tip guard to the horizontal orientation and move sprayer up and down.



## Spray Pattern Quality

A good spray pattern is evenly distributed as it hits the surface.

- Spray should be atomized (evenly distributed, no gaps at edges).



If tails persist when spraying at the highest spray pressure:

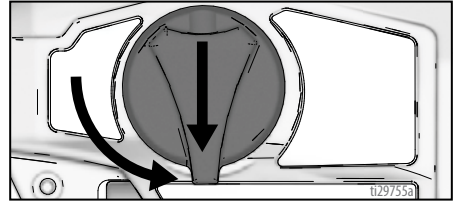
- Spray tip may be worn. See **Tip and Pressure Selection**, page 15.
- A smaller spray tip may be needed.
- Material may need to be thinned. Follow manufacturers recommendations.

## Clear Tip Clog

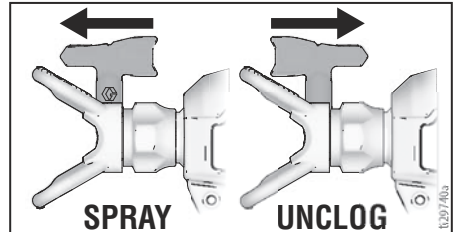


In the event that particles or debris clog the spray tip, this sprayer is designed with a reversible spray tip that quickly and easily clears the particles without disassembling the sprayer. See for **Strain the Paint**, page 12 for additional information.

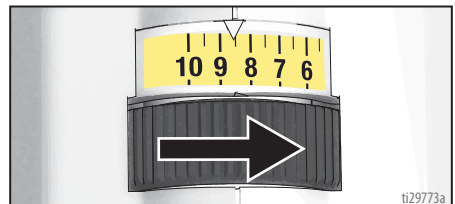
1. To unclog spray tip, turn Prime Pump/Spray knob down to Prime Pump position.



2. Reverse spray tip to UNCLOG position.

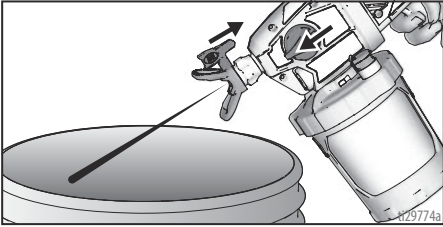


3. Set speed control to 10.



# How to Spray

4. Aim sprayer at waste area, turn Prime Pump/Spray knob forward to spray position. Pull trigger to clear clog.



5. Turn Prime Pump/Spray knob down to Prime position. Rotate spray tip back to SPRAY position. Turn Prime Pump/Spray knob forward to SPRAY position, and resume spraying.
6. If spray tip is still clogged, you may have to repeat steps 1 – 5, or replace with new spray tip assembly. See **Spray Tip Installation**, page 24.

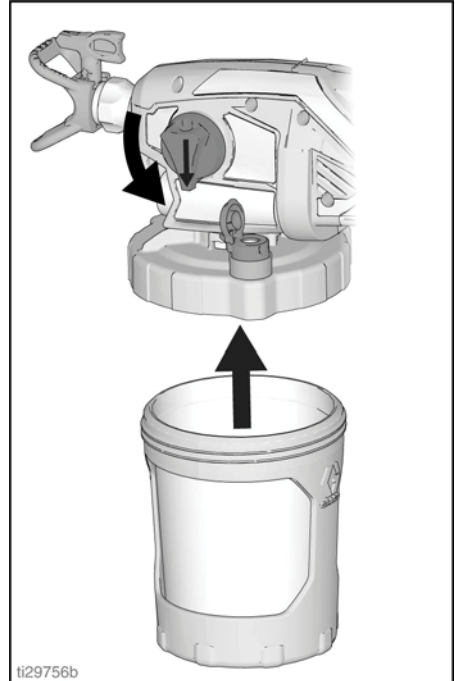
# Cleanup

Cleaning your sprayer properly and after every spray job is of the utmost importance! Proper care and maintenance will make your paint sprayer last and work for you trouble free. See **Cleaning Fluid Compatibility**, page 28 and **Static Grounding Instructions (Oil-Based or flammable materials)**, page 28 for additional information when using oil-based or flammable materials.

## NOTICE

Failure to properly clean sprayer after each use will result in hardened materials, damage to the sprayer, and the warranty will no longer be valid. Do not store solvents other than mineral spirits in sprayer. Always flush with Graco Pump Armor prior to storage.

1. Turn Prime Pump/Spray knob to Prime Pump to relieve pressure.
2. Open the vacuvalve to allow air into the FlexLiner.
3. Separate the cup support with FlexLiner from the cup cover/sprayer.

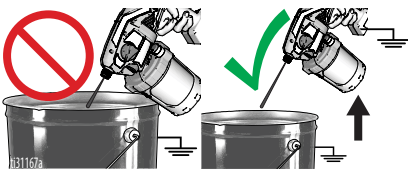


## Cleaning Sprayer



To avoid serious injury or damage to equipment:

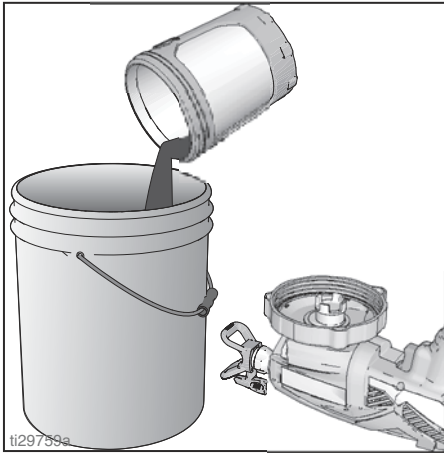
- Do not spray solvents through the spray tip. Clean the tip in a bucket of compatible solvent.
- Clean in a well-ventilated area. Keep a good supply of fresh air moving through the area.



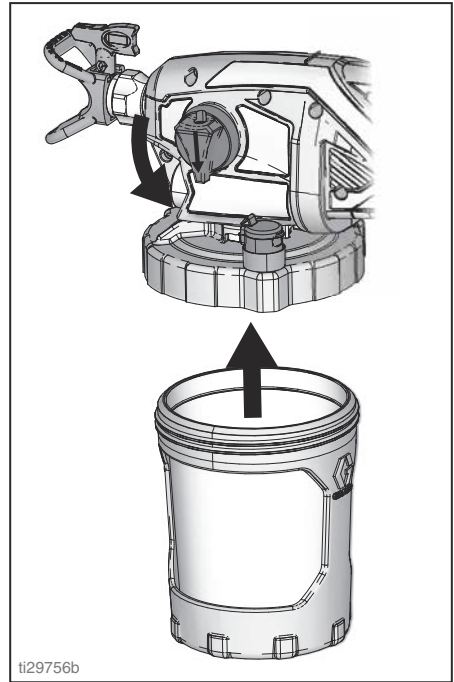
- When flushing with solvents, always ground the sprayer and waste container.
- Do not expose the sprayer electronics to flushing solvents. Keep sprayer at **least 10 in. (25cm)** above the rim of the container when flushing.

# Cleanup

4. Set the sprayer upside down on a flat surface. This will keep the wet paint in the cup cover. Return excess material to original container. Hold the FlexLiner in place when pouring.



5. You can either dispose of the used FlexLiner and install a new FlexLiner or clean a used FlexLiner.

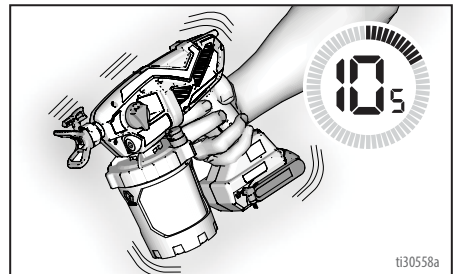


8. To clean the cup cover and pump filter shake the entire sprayer for ten seconds.



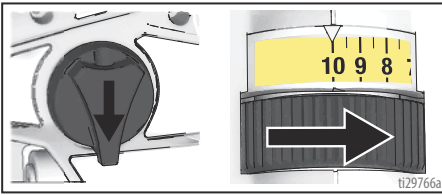
To avoid fire and explosion do not spray solvents through the spray tip. Remove spray tip, spray tip guard and clean in a bucket of compatible solvent.

6. To clean the sprayer, fill FlexLiner approximately half-full with appropriate cleaning fluid (warm water or mineral spirits) and close vacuvalve.
7. Securely tighten cup support with FlexLiner to cup cover/sprayer.

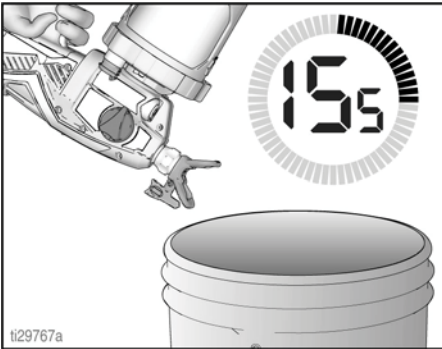




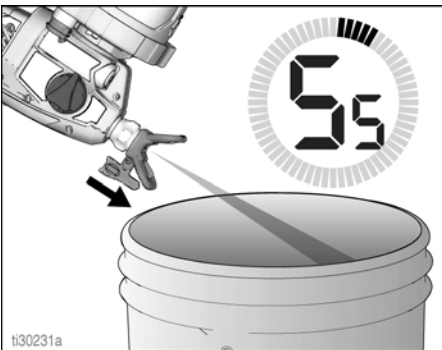
9. Make certain the Prime Pump/Spray knob is in the Prime Pump position (pointed down). Set speed control to 10. Turn the sprayer upside down and point the sprayer into a waste pail. Pull the trigger for 15 seconds.



10. Turn the sprayer upside down and point the sprayer into a waste pail. Pull the trigger for 15 seconds.

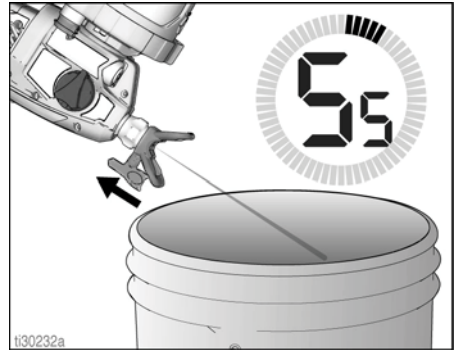


11. Turn Prime Pump/Spray knob forward to SPRAY position.  
12. While holding the sprayer upside down point the sprayer into a waste pail.

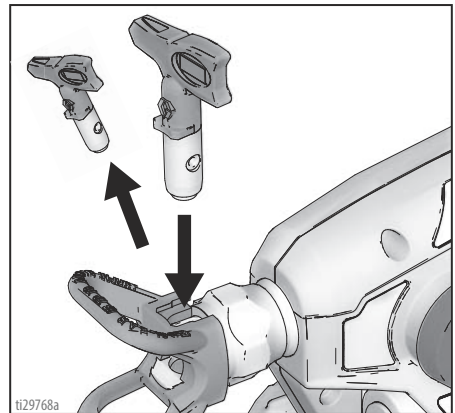


- a. With the spray tip in the SPRAY position, pull the trigger for five seconds. Release the trigger.

- b. Reverse the spray tip to UNCLOG position, pull the trigger for five seconds. Release the trigger.



13. If second spray tip was used, remove cleaned spray tip from spray tip guard and install second spray tip. See **Spray Tip Installation**, page 24. Repeat steps 11 and 12 to clean second spray tip.

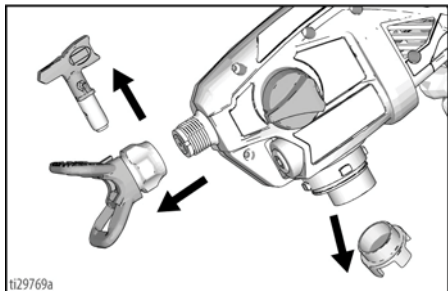


14. Remove cup assembly and discard used fluid. Dispose of used cleaning fluid properly.  
15. Replace cleaning fluid and repeat steps 6 – 14 until spray output is clean.

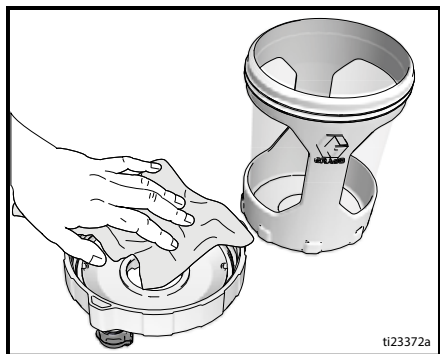
**IMPORTANT!** For best results, do not spray more than one cup of water through the tip while cleaning. If more flushing is needed, remove the tip from the sprayer to avoid excessive wear.

# Cleanup

16. Remove spray tip, spray tip guard, and pump filter. Clean with appropriate cleaning fluid (water or mineral spirits). A soft brush can be used to loosen and remove dried material if needed.






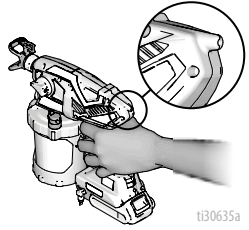
17. Use a soft cloth to clean the cup support and cup cover.



## Cleaning Sprayer Exterior

Wipe paint off the outside of the sprayer using a soft cloth moistened with water or flushing fluid. Do NOT submerge the sprayer. Do NOT splash or immerse battery or charger in water or solvents.

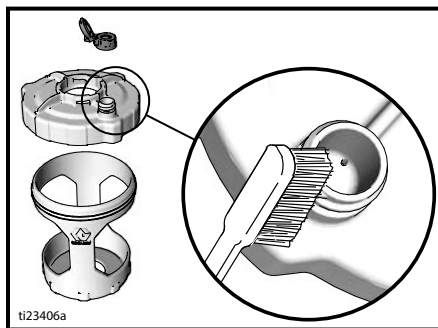


			
<p>This sprayer is equipped with a static wick that reduces the build-up of static charge to reduce the risk of fire and explosion. <b>KEEP THIS SURFACE CLEAN OF OVERSPRAY.</b></p>			 <p>ti30635a</p>

## Cleaning VacuValve

The VacuValve is an important part of your sprayer and it should be cleaned after every use.

1. Remove VacuValve cap from cup cover and clean it.
2. Clean VacuValve reservoir in lid.
3. Clean VacuValve air hole. If VacuValve air hole becomes clogged, use a paper clip to clean the hole.



# Storage

With proper storage, the sprayer will be ready to use the next time it is needed.

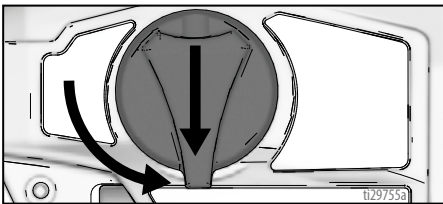


## NOTICE

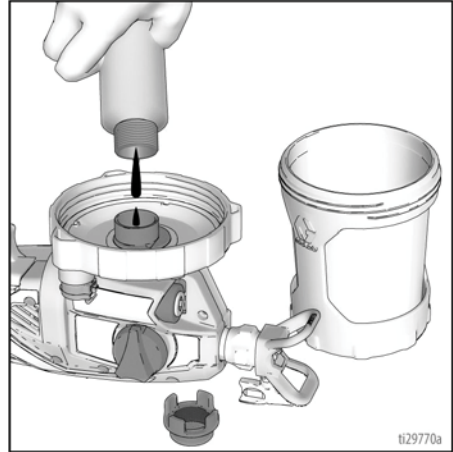
Failure to store sprayer with Pump Armor can result in operational problems the next time you spray. Always circulate Pump Armor through the sprayer after cleaning. **Water or solvents other than mineral spirits left in the sprayer will corrode and damage the pump.**

Pump Armor fluid protects the sprayer while in storage. It helps protect sprayer against freezing and corrosion when not in use.

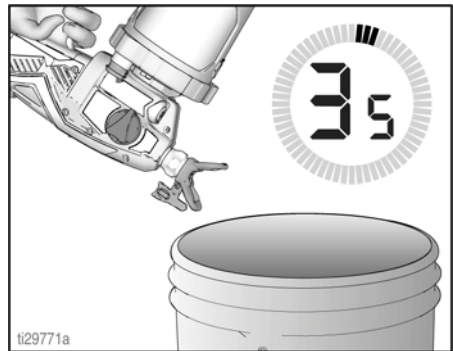
1. Clean the sprayer and cup assembly. See **Cleanup**, page 19.
2. Turn Prime Pump/Spray knob down to the Prime Pump position. Make certain that VacuValve cap is closed.



3. Separate the cup support with FlexLiner from the cup cover/sprayer. Set the sprayer upside down on a flat surface.
4. Remove pump filter from pump opening.
5. With the sprayer upside-down pour approximately 2 oz. (60 ml) PUMP ARMOR into pump opening.



6. Install a clean pump filter into pump opening.
7. With sprayer upside-down attach cup support with FlexLiner to sprayer.
8. Holding sprayer upside-down over a waste container, pull sprayer trigger for three seconds.



9. Turn Prime Pump/Spray knob forward to spray position. Remove cup assembly and pour any remaining Pump Armour back into Pump Armor bottle. Replace child-resistant cap and tighten securely for storage.
10. Store sprayer indoors in a cool, dry place. Store in an **upright position only**.

## Common Procedures

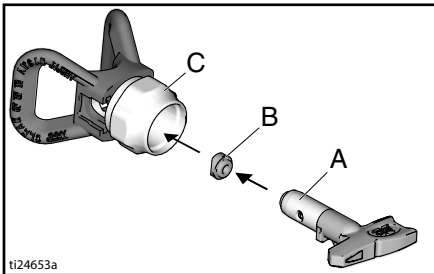
### Spray Tip Installation



To avoid serious injury from skin injection do not put your hand in front of the spray tip when installing or removing the spray tip and tip guard.

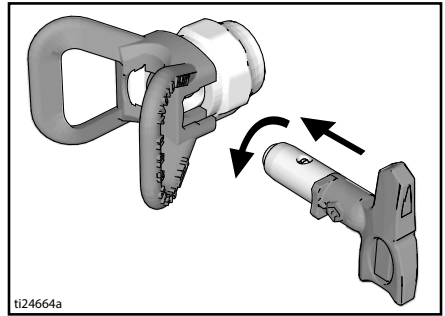
To prevent spray tip leaks make certain spray tip and tip guard are installed properly.

1. Perform **Pressure Relief Procedure**, page 11.
2. Use spray tip (A) to insert seal (B) into tip guard (C).



ti24653a

3. Insert Spray Tip. Spray tip must be pushed all the way into the tip guard.



ti24664a

4. Screw spray tip and tip guard assembly onto the gun and hand tighten.
  - Spray tips wear with use and abrasive paint and need periodic replacement.
  - If the spray pattern is poor, you may have a worn spray tip. Replace spray tip. See **Spray Pattern Diagnostics**, page 38.

#### NOTICE

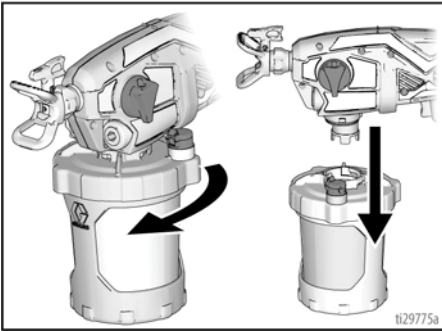
Spray tips must be cleaned or stored in appropriate cleaning fluid (water, mineral spirits, or compatible oil-based solvent) immediately after use to ensure material is not allowed to dry in spray tip. Failure to do so will result in damage to the spray tip. See **Cleanup**, page 19.

## Flush a New Sprayer

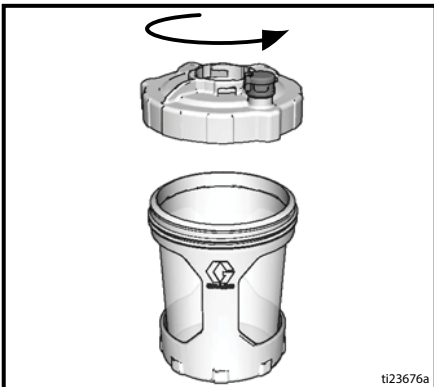
Always start with a fully charged battery. Refer to battery and charger information provided.

This sprayer arrives from the factory with a small amount of test material in the system. **It is important that you flush this material from the sprayer before using it for the first time.** See **Cleaning Fluid Compatibility**, page 28 and **Static Grounding Instructions (Oil-Based or flammable materials)**, page 28 for additional information when using oil-based or flammable materials.

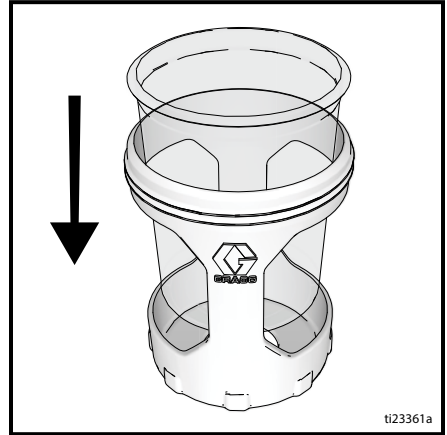
1. Remove cup assembly from the sprayer by turning and pulling down.



2. Unscrew cup cover from the cup support.



3. Make certain FlexLiner is in the cup support.

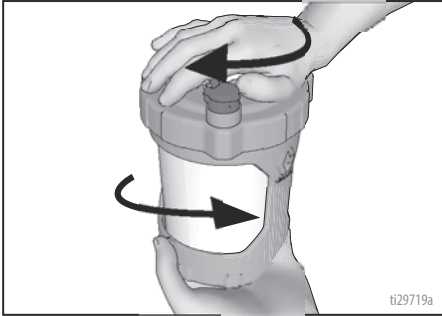


4. Fill FlexLiner with cleaning fluid. See **Cleaning Fluid Compatibility**, page 28.

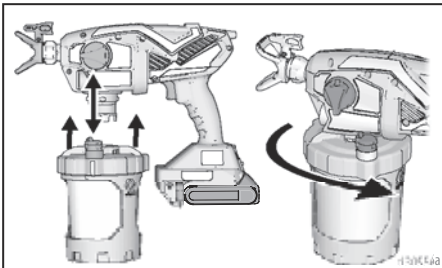


# Common Procedures

5. Securely tighten cup cover onto cup support.

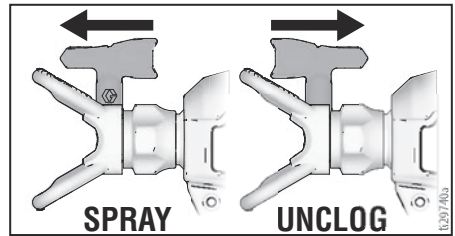
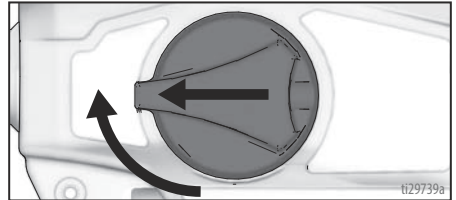


6. Align VacuValve on cup cover with Prime Pump/Spray knob. Push cup assembly onto sprayer and twist to lock.



7. Install battery onto sprayer.
8. Make certain the Prime Pump/Spray knob is in the Prime Pump position (pointed down). Set speed control to 10.

9. Turn the sprayer upside down and point the sprayer into a waste pail. Pull the trigger for three seconds.
10. Turn Prime Pump/Spray knob forward to SPRAY position. Rotate spray tip 180 degrees to UNCLOG position.



11. While holding the sprayer upside down point the sprayer into a waste pail. Pull the trigger for three seconds.

**IMPORTANT!** For best results, do not spray more than one cup of water through the tip while cleaning. If more flushing is needed, remove the tip from the sprayer to avoid excessive wear.

12. Sprayer is now flushed and ready for use. See **Start Up**, page 11.

# Reference

## Spray Tip Selection

### Selecting Tip Size

Spray tips come in a variety of hole sizes for spraying a range of fluids. Your sprayer includes a tip for use in most paint spraying applications. Use the coatings table on page 15 to determine the range of recommended tip hole sizes for each fluid type. If you need a tip other than the one supplied, see the **How to Spray**, page 15.

**NOTE:** For proper sprayer operation use only a tip from the same tip family that came with your sprayer. See **Tip Family**, page 15.

#### Hints:

- As you spray, the tip wears and enlarges. Starting with a tip hole size smaller than the maximum will allow you to spray within the rated flow capacity of the sprayer.
- Use larger tip hole sizes with thicker coatings and smaller tip hole sizes with thinner coatings.
- Tips wear with use and need periodic replacement.
- Tip hole size controls flow rate - the amount of paint that comes out of the gun.

## Fan Width

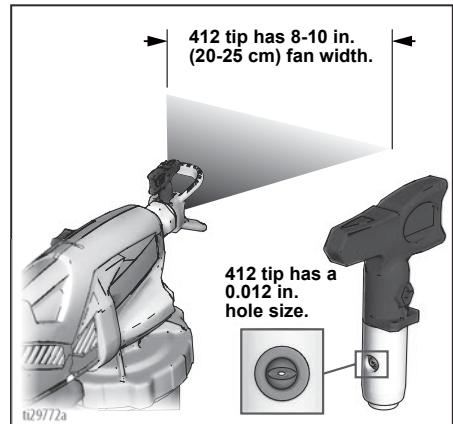
Fan width is the size of the spray pattern, which determines the area covered with each stroke.

#### Hints:

- Select a fan width best suited to the surface being sprayed.
- Wider fans allow provide better coverage on broad, open surfaces.
- Narrower fans provide better control on small, confined surfaces.

## Understanding Tip Number

The last three digits of tip part number (i.e.: xxx**412**) contains information about hole size and fan width on surface when gun is held 12 in. (30.5 cm) from surface being sprayed.

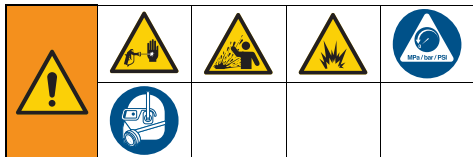


**First digit when doubled = approximate fan width.**

**Last two digits = tip hole size in thousands of an inch.**

**For an 8 to 10 in. (203 to 254 mm) fan width and 0.010 (0.25 mm) hole size, order Part No. ...410.**

## Cleaning Fluid Compatibility



### Oil-Based or Flammable or Water-Based Materials

- When spraying **water-based** materials, flush the system thoroughly with water.
- When spraying **oil-based or flammable** materials, flush the system thoroughly with mineral spirits or compatible, flushing solvent.
- To spray **water-based** materials **after spraying oil-based or flammable** materials, flush the system thoroughly with water first. The water flowing out of drain tube should be clear and solvent-free **before** you begin spraying the water-based material.
- To spray **oil-based or flammable** materials **after spraying water-based** materials, flush the system thoroughly with mineral spirits or a compatible flushing solvent first. The solvent flowing out of the drain tube should not contain any water. When flushing with solvents always follow **Static Grounding Instructions (Oil-Based or flammable materials)**, page 28.
- To avoid fluid splashing back on your skin or into your eyes, always aim gun at inside wall of pail.

## Static Grounding Instructions (Oil-Based or flammable materials)

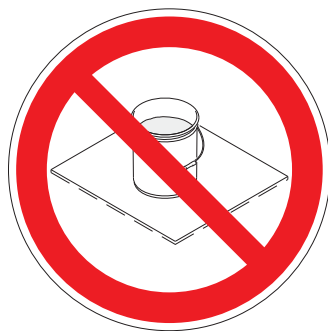
--	--	--	--	--

The equipment must be grounded to reduce the risk of static sparking. A static spark can cause fumes to ignite or explode. A good ground provides an escape wire for the electric current.

Always use a metal pail for oil-based or flammable materials when sprayer is flushed or pressure is relieved.

Follow local code. Use only conductive metal pails, placed on a grounded surface such as concrete.

Do not place pail on a non-conductive surface such as paper or cardboard which interrupts grounding continuity.





## Maintenance

Routine maintenance is important to ensure proper operation of your sprayer.



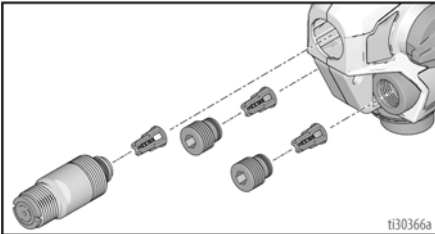
Move sprayer to a well-ventilated area and away from flammable or combustible materials, including paints and solvents.

Activity	Interval
Inspect pump filter.	Daily or each time you spray
Inspect enclosure vents for blockage.	Daily or each time you spray
Inspect pump inlet holes located under pump filter for blockage.	Each time the sprayer is cleaned

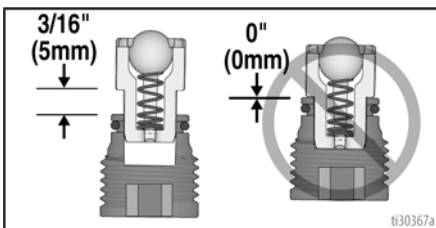
## Cleaning Outlet Valves

Dirt and debris in the outlet valve assemblies may affect sprayer performance and require cleaning.

- To clean the three outlet valves, remove two pump plugs and front valve. Remove pump plugs with an 8mm or (5/16") Allen wrench.



- Clean outlet valve assemblies with warm water or mineral spirits.
- Check ball should move freely against the spring in the retainer.

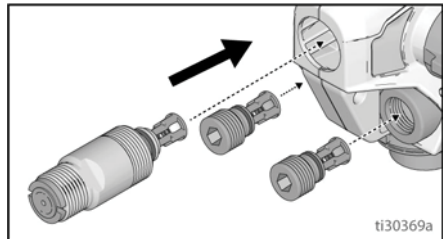


- If outlet valve assembly was removed from the valve plug, assemble as shown. Leave a space between the end of the plug or front valve and shoulder on the outlet valve assembly.

### NOTICE

Do not push outlet valves all the way into the valve plugs or front valve. If outlet valves are pushed all the way into the valve plugs or front valve the sprayer will spray with reduced performance.

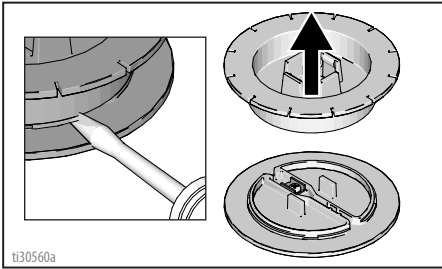
- Make certain o-rings are on the valve plugs and front valve.
- Install two pump plugs and front valve. Use an 8mm or (5/16") Allen wrench to install pump plugs. Torque outlet valve and pump plugs, see page 32 for torques.



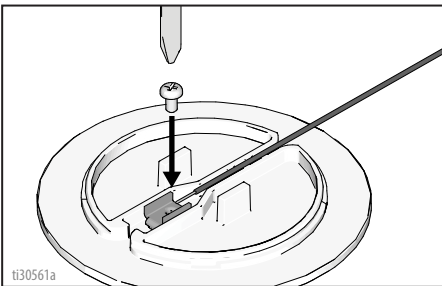
## Grounding Wire Repair

If the grounding wire breaks at the **spool end**, perform the following steps:

1. Unwind wire from grounding spool and use a flat screwdriver to pry apart the grounding spool.



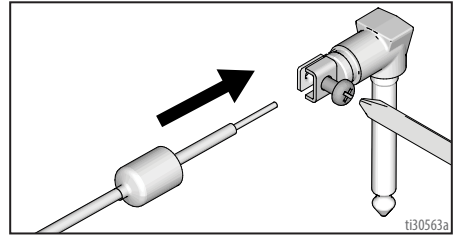
2. Loosen screw on terminal and remove broken wire. Strip insulation from grounding wire, insert into terminal and tighten screw.



3. Snap the grounding spool back together.

If the grounding wire breaks at the **grounding plug**, perform the following steps:

1. Pull rubber boot off of wire at grounding plug and slide boot over grounding wire.

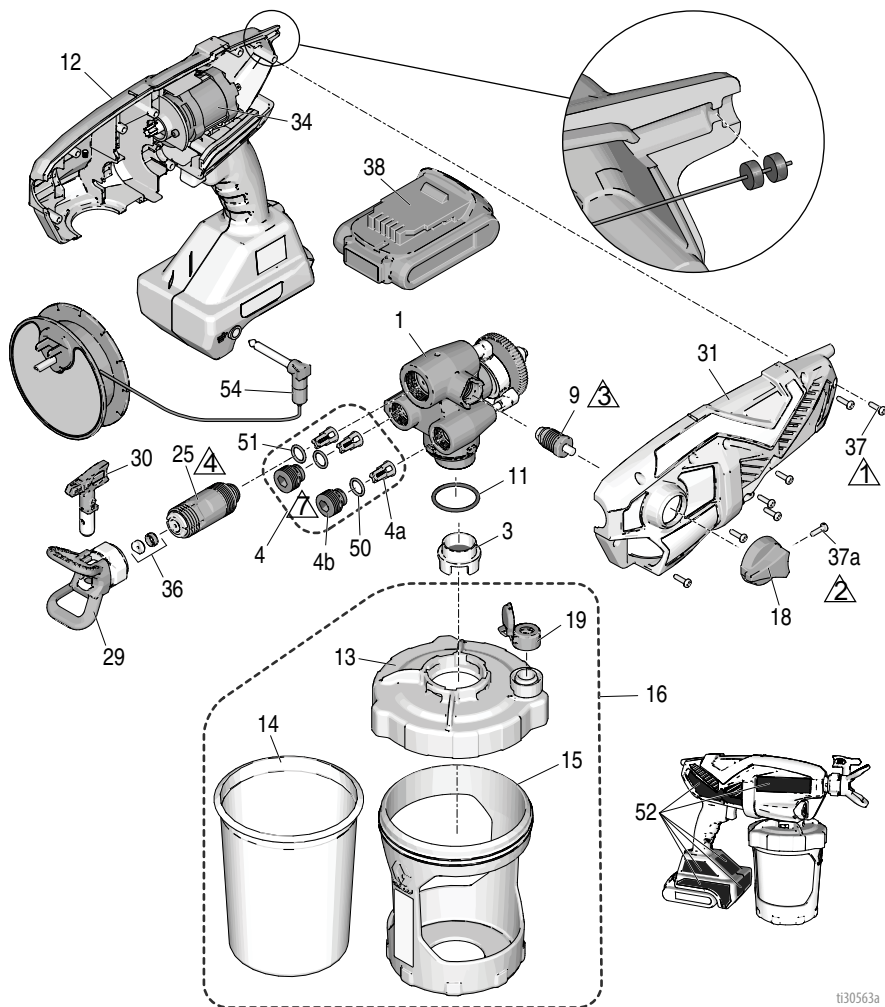


2. Loosen screw and remove broken wire. Insert stripped grounding wire and tighten screw.
3. Replace rubber boot onto grounding plug.



# Replacement Parts

## Replacement Parts



ti30563a

Ref.	Torque	Ref.	Torque
⚠️	10 in-lb (1.1 N•m)	⚠️	55-65 in-lb (6.2 - 7.3 N•m)
⚠️	8-10 in-lb (0.9 - 1.1 N•m)	⚠️	5-7 in-lb (0.6 - 0.8 N•m)
⚠️	10-15 in-lb (1.1 - 1.7 N•m)		

## Parts List

Ref.	Sprayer Name	Part #	Description
1	All	17P187	Kit, pump assembly <i>includes 4, 9, 11, 25</i>
3	All	17P554	Filter, pump, 60 mesh, 3 pack
	All	17P555	Filter, pump, 100 mesh, 3 pack
4	All	17P183	Kit, outlet valve repair <i>includes 3 of 4a, 2 of 4b, 2 of 50, 1 of 51</i>
4a	All		Outlet valve assembly
4b	All		Outlet valve plug
9	All	17R420	Prime Pump/Spray valve <i>includes 18, 1 of 37a</i>
11	All	125249	O-ring
12	All	17P181	Kit, Smartcontrol with enclosure <i>includes 31, 34, 7 of 37, 34, 52</i>
13	All	17N517	Lid, cup <i>includes 1 of 19</i>
14	All	17A226	FlexLiner, 32 oz. (3-pack)
	All	17P212	FlexLiner, 32 oz. (25-pack)
	All	17F005	FlexLiner, 42 oz. (3-pack)
	All	17P549	FlexLiner, 42 oz. (25-pack)
15	Ultra MAX, Ultimate MX	17N392	Support, cup, 32 oz.
	TC PRO PLUS	16W846	Support, cup, 32 oz.
16		17P551	Kit, cup support, lid and plug 32 oz. <i>includes 13, 1 of 14, 15, 17, 1 of 19</i>
		17P553	Kit, cup support, lid and plug 42 oz. <i>includes 13, 1 of 14, 15, 17, 1 of 19</i>
17	All	17R611	Plug, cup lid, not shipped with sprayer (not shown)
18	All	17M882	Prime Pump/Spray knob
19	All	17P712	VacuValve cap (3-pack)
20	Ultra MAX	17P671	Kit, label, brand (US)
		17P672	Kit, label, brand (International)
	Ultimate MX	17P673	Kit, label, brand (US)
		17R596	Kit, label, brand (International)
	TC PRO PLUS	17P674	Kit, label, brand (US)
25	All	17P175	Kit, front valve <i>includes 51</i>
29	Ultra MAX, Ultimate MX	17P573	Guard, spray tip, FFLP
	TC PRO PLUS	17P575	Guard, spray tip, TCP
30	Ultra MAX, Ultimate MX	FFLP514	Spray tip, All Models
		FFLP210	Spray tip, Models; 17M367, 17N222, 17N224, 17N225, 17P928, 17P929
		FFLP410	Spray tip, Models; 17M368, 17M369, 17P258, 17P930
	TC PRO PLUS	TCP514	Spray tip, Model; 17N223
		TCP210	Spray tip, Model; 17N223
31		17P236	Kit, enclosure, cover <i>includes 7 of 37</i>
34			Motor, part of Smartcontrol and enclosure (Ref. No. 12)
36			Kit, tip seat and seal (5-pack)
		17P501	Standard
		17P502	Solvent
37	All	17R614	Screw, cross-head
37a	All	128726	Screw, cross-head

Continued on next page.

# Replacement Parts

Ref.	Sprayer Name	Part #	Description
			Li-ion Compact Battery Pack DEWALT
38 *		17P474	Models; 17M367, 17N222, 17N223. Models; 17P928 and 17P929 requires this battery.
		17P557	Models; 17P257, 17P258, 17M368, 17M370 requires this battery. Models; 17N930 and 17P931 ships without the battery.
		17P556	Model; 17N224 requires this battery.
		17P558	Model; 17N225 requires this battery.
39 *			Li-ion Battery Charger DEWALT (not shown)
		17P475	Models; 17M367, 17N222, 17N223. Models; 17P928 and 17P929 requires this charger.
		17P560	Models; 17P257, 17P258, 17M368, 17M370 requires this charger. Models; 17N930 and 17P931 ships without the charger.
		17P559	Model; 17N224 requires this charger.
		17P561	Model; 17N225 requires this charger.
40	All	17M883	Case, storage (not shown)
50	All	118594	O-ring
51	All	117724	O-ring
- - -	17N222, 17N223, 17M367, 17P928, 17P929	24D386	Pump Armor, 4 oz (not shown)
52 ▲	All	17P688	Kit, warning labels includes medical alert card (not shown)
53 ▲			Medical alert card
		17R476	English, Spanish, Portuguese (Brazil)
		17A134	English, Chinese, Korean
		179960	English, Spanish, French
		17F690	Dutch, German, Italian
54	All	16H256	Reel, grounding Replacement available at no cost.
* Battery and charger are dependent upon in country requirements.			
▲ Replacement Danger and Warning labels, tags, and cards are available at no cost.			

## Troubleshooting



Check everything in this Troubleshooting Table before you bring the sprayer to an authorized service center.



### Sprayer Diagnostics

Problem	Cause	Solution
Sprayer makes no sound when trigger is pulled	Diagnostic light blinks two times when trigger is pulled. Indicates incorrect voltage.	Replace battery with a charged battery.
	Diagnostic light blinks three times when trigger is pulled. Indicates battery temperature is too hot or cold.	Battery has reached end of life. Replace the battery.
	Diagnostic light blinks four times when trigger is pulled. Indicates locked rotor condition.	Allow battery to cool down or warm up to room temperature.
	Diagnostic light does not blink when trigger is pulled. Indicates battery is not installed or is damaged.	Replace pump and/or motor assembly.
		Install battery or replace battery.
		Replace Smartcontrol.

# Troubleshooting

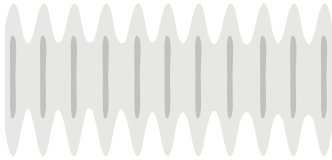



Problem	Cause	Solution
Sprayer makes sound but no material is sprayed when trigger is pulled	Sprayer is not primed.	Prime the pump. See <b>Starting a New Job</b> , page 12.
		Make certain there is only one FlexLiner in the cup support.
		Make certain the cup cover is properly threaded to the cup support. If threads are visible below the cup cover when tight, fully remove and reinstall to the cup support so no threads are visible when tight.
		Make certain the cup cover is tightened to cup support so the arrow on cup cover is within range of indicator on cup support.
		Make certain the cup assembly is properly locked on the sprayer.
		Make certain all the air is out of the FlexLiner and the VacuValve is properly closed.
		Clean VacuValve reservoir and air hole. See <b>Cleaning VacuValve</b> , page 22.
		Clean Sprayer. See <b>Cleanup</b> , page 19.
		Outlet valves are not installed properly. See <b>Cleaning Outlet Valves</b> , page 29.
	Prime Pump/Spray knob is in PRIME PUMP position.	Turn Prime Pump/Spray knob forward to SPRAY position.
	Spray tip is not in SPRAY position.	Turn spray tip to SPRAY position.
	Spray tip is clogged.	See <b>Clear Tip Clog</b> , page 17.
	Debris in paint.	See <b>Strain the Paint</b> , page 12.
	Pump filter plugged.	See step 16 on page 22.
Speed control is set too low.	Increase speed until unit sprays.	
No or low material in material cup.	Refill FlexLiner with material and prime the pump. See <b>Refilling FlexLiner</b> , page 14.	
Pump has reached the end of its life.	Replace pump assembly.	
Diagnostic light blinks four times when the trigger is pulled. Indicates a locked rotor condition.	Replace pump and/or motor assembly.	



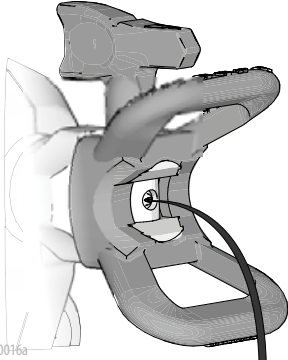


Problem	Cause	Solution
Sprayer sprays with poor results	Spray tip is partially clogged.	See <b>Clear Tip Clog</b> , page 17.
	Spray tip is not in correct position	Rotate spray tip to <b>SPRAY</b> position.
	Incorrect spray tip for application of material.	Install different size spray tip. See <b>Tip and Pressure Selection</b> , page 15.
	Spray tip is worn or damaged	Replace spray tip. See <b>Spray Tip Installation</b> , page 24.
	Material being sprayed is aerated because it was shaken.	Do <b>NOT</b> shake material. Stir the material or check the manufacturer's recommendation for the material being sprayed.
	Material being sprayed is too cold to spray.	Warm material.
	Outlet valves are dirty or worn.	Remove two pump plugs and front valve to gain access to the three outlet valves. Clean outlet valves, see <b>Cleaning Outlet Valves</b> , page 29. Replace if necessary.
	Pump has reached the end of its life.	Replace pump assembly.
Pump will spray paint but will not spray water	Pump has reached the end of its life.	Replace pump assembly.
Paint leaks out of the cup threads.	Cup not properly seated.	Make certain that there is only one FlexLiner in cup support.
		Make certain the cup cover is properly threaded to the cup support. If threads are visible below the cup support when tight, fully remove the cup cover and reinstall to the cup support so no threads are visible when tight.
		Make certain the cup cover is tightened to the cup support so the arrow on the cup cover is within range of the indicator on the cup support.
		Avoid flexing or pushing on the cup support when you evacuate the air out of the FlexLiner.
		Avoid pulling down on the FlexLiner when you evacuate the air out of the FlexLiner.
		Make certain there is no damage to the FlexLiner lip or the cup cover gasket.
		Make certain that the FlexLiner lip and cup cover gasket is free of debris and dried paint.
		Replace FlexLiner.

# Troubleshooting

## Spray Pattern Diagnostics

Problem	Cause	Solution
Spray pattern is uneven: 	Operator is moving too fast while spraying.	Slow speed of movement.
	Spray tip is clogged.	Unclog spray tip or clean spray tip see <b>Clear Tip Clog</b> , page 17.
	Material difficult to atomize.	Increase speed until desired pattern is achieved.
		Hold sprayer farther away from surface.
	Switch to different spray tip. See <b>Tip and Pressure Selection</b> , page 15.	
Outlet valves are dirty or worn.	Remove two pump plugs and front valve to gain access to the three outlet valves, see <b>Cleaning Outlet Valves</b> , page 29. Clean outlet valves. Replace if necessary.	
Pump has reached the end of its life.	Replace pump assembly.	
Spray pattern has tails: 	Speed control is set too low.	Increase speed until desired pattern is achieved.
	Material may need to be thinned.	Thin material follow paint manufacturer's recommendations.
	Incorrect spray tip for application of material.	Install different size spray tip. See <b>Tip and Pressure Selection</b> , page 15.
	Material not compatible with sprayer.	Switch material.
	Spray tip is worn or damaged.	Replace spray tip. See <b>Spray Tip Installation</b> , page 24.
Spray pattern has dripping/sagging: 	Operator is moving too slowly while spraying.	Move sprayer faster while spraying.
	Sprayer is too close to target surface.	Move sprayer away from surface 10 in. (25 cm)
	Holding trigger while changing spray direction.	Release trigger when changing directions.
	Speed control switch is set too high.	Decrease speed until desired pattern is achieved.
	Spray tip is worn or damaged.	Replace spray tip. See <b>Spray Tip Installation</b> , page 24.
Spray pattern is too narrow: 	Sprayer is too close to target surface.	Move sprayer away from surface 10 in. (25 cm)
	Incorrect spray tip for application of material.	Install different size spray tip. See <b>Spray Tip Installation</b> , page 24.
	Spray tip is worn or damaged.	Replace spray tip. See <b>Spray Tip Installation</b> , page 24.

Problem	Cause	Solution
<p>Spray pattern is too wide:</p> 	<p>Sprayer is too far away from target surface.</p>	<p>Move sprayer closer to surface.</p>
	<p>Incorrect spray tip for application of material.</p>	<p>Install different size spray tip. See <b>Spray Tip Installation</b>, page 24.</p>
<p>Spray pattern "spits" at the beginning or end of pattern:</p> 	<p>Excess material has accumulated on spray tip guard assembly or spray tip is partially clogged.</p>	<p>Clean spray tip guard. See <b>Clear Tip Clog</b>, page 17.</p>
	<p>Spray tip not inserted completely into spray tip guard.</p>	<p>See <b>Spray Tip Installation</b>, page 24.</p>
	<p>Spray tip is worn.</p>	<p>Replace spray tip. See <b>Spray Tip Installation</b>, page 24.</p>
	<p>Sprayer is dirty</p>	<p>Flush sprayer.</p>
	<p>Front valve has reached the end of its life.</p>	<p>Replace front valve assembly.</p>
<p>Spray tip continues to drip or ooze material after trigger is released:</p> 	<p>Spray tip is worn.</p>	<p>Replace spray tip. See <b>Spray Tip Installation</b>, page 24.</p>
	<p>Spray tip not inserted completely into spray tip guard.</p>	<p>See <b>Spray Tip Installation</b>, page 24.</p>
<p>Material leaks around spray tip guard or spray tip handle</p>	<p>Spray tip seal and seat are damaged or not properly installed.</p>	<p>See <b>Spray Tip Installation</b>, page 24.</p>

# Technical Specifications

## Technical Specifications

<b>Brushless Cordless HandHeld Sprayer</b>		
	<b>U.S.</b>	<b>Metric</b>
Max Working Pressure	2000 psi	14 MPa, 138bar
Weight	5.25 lb	2.4 kg
Dimensions:		
Length	14.0 in.	36.1 cm
Width	5 in.	12.7 cm
Height	10.5 in.	26.7 cm
Storage Temperature Range ♦✱	32° to 113° F	0° to 45° C
Operating Temperature Range ✓	40° to 90° F	4° to 32° C
Storage Humidity Range	0% to 95% relative humidity, non-condensing	
Sound Pressure Level	83.0 dBA	
Sound Power Level †	94.0 dBA Uncertainty K = 3 dBA	
Vibration level (Measured in accordance with EN 50580:2012)	Vibration total value $a_h = 21.5 \text{ ft/s}^2$ Uncertainty K = 0.3 ft/s <sup>2</sup>	Vibration total value $a_h = 6.5 \text{ m/s}^2$ Uncertainty K = 0.1 m/s <sup>2</sup>
Charger Power Source		
17N222, 17N224, 17N223, 17M367, 17P928, 17P929	100 – 120 Vac, 50 Hz, 15A, 1 Ø	
17M368, 17M370, 17N225, 17P257, 17P258, 17P930, 17P931	230 Vac, 50 Hz, 16 A, 1 Ø	
<b>Battery</b>		
Voltage (DC)	20 V MAX* 2.0 Ah Li-ion Compact Battery Pack DEWALT	
Maximum tip orifice	0.016 in.	0.41mm

♦ Pump damage will occur if fluid freezes in pump.

✱ Damage to plastic parts may result if impact occurs in low temperature conditions.

✓ Changes in paint viscosity at very low or very high temperatures can affect sprayer performance.

† All readings were taken in priming mode at the assured operator position. Sound power levels were tested to ISO 3741 at 3.3 feet (1m).

\* Maximum initial battery voltage (measured without a workload) is 20 volts. Nominal voltage is 18.

## Graco Limited Warranty

Graco warrants all equipment referenced in this document which is manufactured by Graco and bearing its name to be free from defects in material and workmanship on the date of sale to the original purchaser for use. With the exception of any special, extended, or limited warranty published by Graco, Graco will, for a period of twelve months from the date of sale, repair or replace any part of the equipment determined by Graco to be defective. This warranty applies only when the equipment is installed, operated and maintained in accordance with Graco's written recommendations.

This warranty does not cover, and Graco shall not be liable for general wear and tear, or any malfunction, damage or wear caused by faulty installation, misapplication, abrasion, corrosion, inadequate or improper maintenance, negligence, accident, tampering, or substitution of non-Graco component parts. Nor shall Graco be liable for malfunction, damage or wear caused by the incompatibility of Graco equipment with structures, accessories, equipment or materials not supplied by Graco, or the improper design, manufacture, installation, operation or maintenance of structures, accessories, equipment or materials not supplied by Graco.

This warranty is conditioned upon the prepaid return of the equipment claimed to be defective to an authorized Graco distributor for verification of the claimed defect. If the claimed defect is verified, Graco will repair or replace free of charge any defective parts. The equipment will be returned to the original purchaser transportation prepaid. If inspection of the equipment does not disclose any defect in material or workmanship, repairs will be made at a reasonable charge, which charges may include the costs of parts, labor, and transportation.

**THIS WARRANTY IS EXCLUSIVE, AND IS IN LIEU OF ANY OTHER WARRANTIES, EXPRESS OR IMPLIED, INCLUDING BUT NOT LIMITED TO WARRANTY OF MERCHANTABILITY OR WARRANTY OF FITNESS FOR A PARTICULAR PURPOSE.**

Graco's sole obligation and buyer's sole remedy for any breach of warranty shall be as set forth above. The buyer agrees that no other remedy (including, but not limited to, incidental or consequential damages for lost profits, lost sales, injury to person or property, or any other incidental or consequential loss) shall be available. Any action for breach of warranty must be brought within two (2) years of the date of sale.

**GRACO MAKES NO WARRANTY, AND DISCLAIMS ALL IMPLIED WARRANTIES OF MERCHANTABILITY AND FITNESS FOR A PARTICULAR PURPOSE, IN CONNECTION WITH ACCESSORIES, EQUIPMENT, MATERIALS OR COMPONENTS SOLD BUT NOT MANUFACTURED BY GRACO.** These items sold, but not manufactured by Graco (such as electric motors, switches, hose, etc.), are subject to the warranty, if any, of their manufacturer. Graco will provide purchaser with reasonable assistance in making any claim for breach of these warranties.

In no event will Graco be liable for indirect, incidental, special or consequential damages resulting from Graco supplying equipment hereunder, or the furnishing, performance, or use of any products or other goods sold hereto, whether due to a breach of contract, breach of warranty, the negligence of Graco, or otherwise.

### **FOR GRACO CANADA CUSTOMERS**

The Parties acknowledge that they have required that the present document, as well as all documents, notices and legal proceedings entered into, given or instituted pursuant hereto or relating directly or indirectly hereto, be drawn up in English. Les parties reconnaissent avoir convenu que la rédaction du présente document sera en Anglais, ainsi que tous documents, avis et procédures judiciaires exécutés, donnés ou intentés, à la suite de ou en rapport, directement ou indirectement, avec les procédures concernées.

# *Graco Limited Warranty*

## Graco Information

For the latest information about Graco products, visit [www.graco.com](http://www.graco.com).

For patent information, see [www.graco.com/patents](http://www.graco.com/patents).

**TO PLACE AN ORDER**, contact your Graco distributor or call 1-888-541-9788 to identify the nearest distributor.





DEWALT® and the DEWALT Logo are trademarks of DEWALT Industrial Tool Co. and are used under license

*All written and visual data contained in this document reflects the latest product information available at the time of publication.  
Graco reserves the right to make changes at any time without notice.*

Original instructions. This manual contains English. MM 3A4803

**Graco Headquarters:** Minneapolis  
**International Offices:** Belgium, China, Japan, Korea

**GRACO INC. AND SUBSIDIARIES • P.O. BOX 1441 • MINNEAPOLIS MN 55440-1441 • USA**

**Copyright 2017, Graco Inc. All Graco manufacturing locations are registered to ISO 9001.**

[www.graco.com](http://www.graco.com)

Revision C, January 2019